

## PIT+PLUS® JR - PREMIUM SIMPLEX SYSTEMS

### APPLICATIONS

Collection of sewage, drainage or seepage water

### FEATURES

- Roto-molded polyethylene basin 24" x 24" (61 cm x 61 cm)
- Radial rib design for extra strength
- Molded inlet hub
- Molded anti-torque stops
- 360° molded handle
- Integrated anti-floatation collar
- Optional alarm versions
- Pre-assembled
- Functional and aesthetic finish cover
- Pump access cover
- Recessed discharge and vent location
- Independent recessed switch module
- Monolithic molded basin top
- Switch cord grips and locators for directional control
- 4/10 hp or 1/2 hp sewage pump option available



Patent Pending

### SERIES SPECIFICATIONS

Item No.	Model No.	Vent	Discharge	Switch Type	Alarm	HP	Pump Item No.	Pump Model No.	Pump Voltage
509673	9JF2V2D	2"	2"	Float	-	4/10	509413	9SC-CIM	115
509674	9JF2V2DA1	2"	2"	Float	Indoor	4/10	509413	9SC-CIM	115
509675	9JF2V2DA3	2"	2"	Float	Indoor/Outdoor	4/10	509413	9SC-CIM	115
509679	9JF3V2D	3"	2"	Float	-	4/10	509413	9SC-CIM	115
509680	9JF3V2DA1	3"	2"	Float	Indoor	4/10	509413	9SC-CIM	115
509681	9JF3V2DA3	3"	2"	Float	Indoor/Outdoor	4/10	509413	9SC-CIM	115
509687	9JP2V2D	2"	2"	ECM	-	4/10	509413	9SC-CIM	115
509688	9JP2V2DA1	2"	2"	ECM	Indoor	4/10	509413	9SC-CIM	115
509691	9JP3V2D	3"	2"	ECM	-	4/10	509413	9SC-CIM	115
511673	10JF2V2D	2"	2"	Float	-	1/2	511432	10SC-CIM	115
511674	10JF2V2DA1	2"	2"	Float	Indoor	1/2	511432	10SC-CIM	115
511675	10JF2V2DA3	2"	2"	Float	Indoor/Outdoor	1/2	511432	10SC-CIM	115
511676	10JF2V3D	2"	3"	Float	-	1/2	511435	10SC-CIM	115
511677	10JF2V3DA1	2"	3"	Float	Indoor	1/2	511435	10SC-CIM	115
511678	10JF2V3DA3	2"	3"	Float	Indoor/Outdoor	1/2	511435	10SC-CIM	115
511679	10JF3V2D	3"	2"	Float	-	1/2	511432	10SC-CIM	115
511680	10JF3V2DA1	3"	2"	Float	Indoor	1/2	511432	10SC-CIM	115
511681	10JF3V2DA3	3"	2"	Float	Indoor/Outdoor	1/2	511432	10SC-CIM	115
511682	10JF3V3D	3"	3"	Float	-	1/2	511435	10SC-CIM	115
511683	10JF3V3DA1	3"	3"	Float	Indoor	1/2	511435	10SC-CIM	115
511684	10JF3V3DA3	3"	3"	Float	Indoor/Outdoor	1/2	511435	10SC-CIM	115
511687	10JP2V2D	2"	2"	ECM	-	1/2	511432	10SC-CIM	115
511688	10JP2V2DA1	2"	2"	ECM	Indoor	1/2	511432	10SC-CIM	115
511690	10JP2V3D	2"	3"	ECM	-	1/2	511435	10SC-CIM	115

Note: Check valve not included.



Basin Assemblies			
Item No.	Model No.	Vent	Discharge
513615	PPJ2V2D	2"	2"
513616	PPJ2V3D	2"	3"
513617	PPJ3V3D	3"	3"
513618	PPJ3V2D	3"	2"

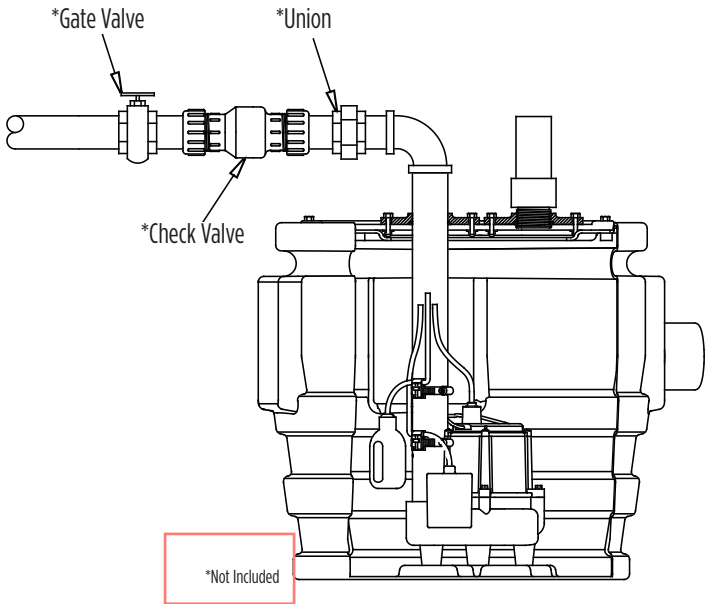
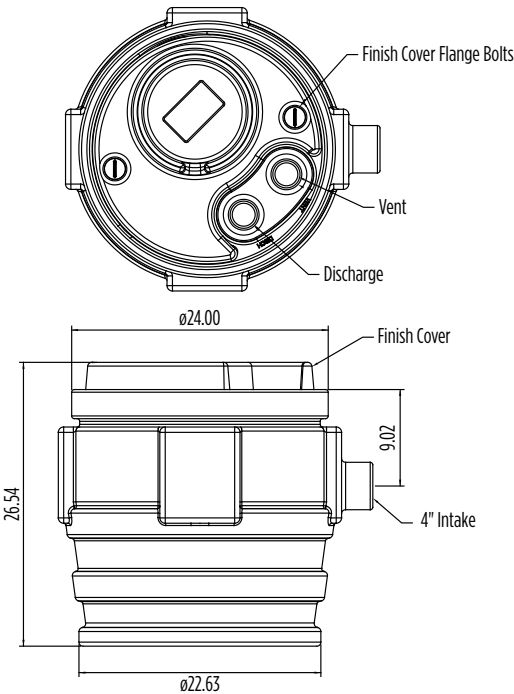
Note: Pump and switch assembly not included.

Replacement Cover and Hardware Kits	
Item No.	Description
113388	Includes replacement bolts, washers, gasket, and wing bolts for finish cover
113389	Includes replacement main basin cover, bolts, washers, gasket, and wing bolts for finish cover

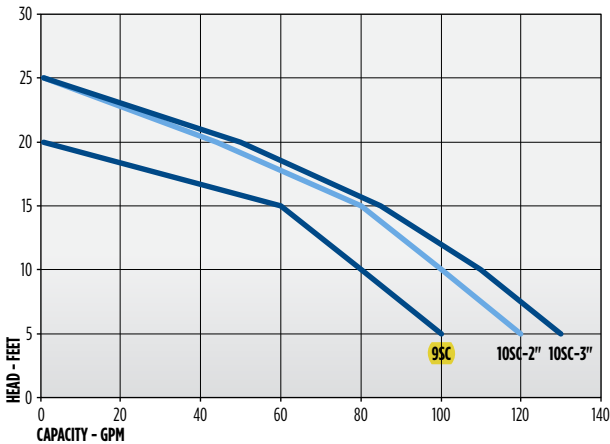
# PACKAGE SYSTEMS

## PIT+PLUS® JR - PREMIUM SIMPLEX SYSTEMS

### ENGINEERING DATA



### PERFORMANCE DATA



### FLOAT AND ECM™ ASSEMBLIES



Float Assemblies		
Item No.	Model No.	Description
513633	PPJFNA	Junior Float Assy, No Alarm Hardware
513634	PPJFWA	Junior Float Assy, W/Alarm Hardware

ECM™ Assemblies		
Item No.	Model No.	Description
513637	PPJENA	Junior ECM Assy, No Alarm Hardware
513638	PPJEWA	Junior ECM Assy, W/Alarm Hardware