

FPS

Versajet



Franklin Electric

The most versatile jet pump the market has ever seen!

Built for easy customization, just one VersaJet covers a variety of performance needs. With our patent pending nozzle replacement system and a small Allen wrench (included), the internal nozzle can be replaced with any of the three nozzles supplied to achieve the exact performance needed.

Each model can be configured for:

- Standard performance
- High pressure
- High flow

Designed and manufactured with durable materials, VersaJet delivers the quality, reliability, and performance you expect from Franklin Electric products.



Revolutionary Patent Pending
"Quick Change" Jet Nozzle
 Replacement System



High Quality Materials of Construction:

- Impeller with stainless steel insert, diffuser, jet nozzle and venturi are all molded with Noryl®. Noryl® thermoplastic is a proven dependable material known for its properties to increase efficiency and hydraulic performance.
- Heavy-duty cast iron case ensures optimum durability and long life.
- Ceramic mechanical shaft seal allows positive protection against leaking along the motor shaft.
- Floating stainless steel eye seal for maximum performance and efficiency.
- Powered by a high quality, industry proven, UL778 approved indoor/outdoor motors from A.O. Smith.

* Noryl® is a Registered Trademark of G.E.

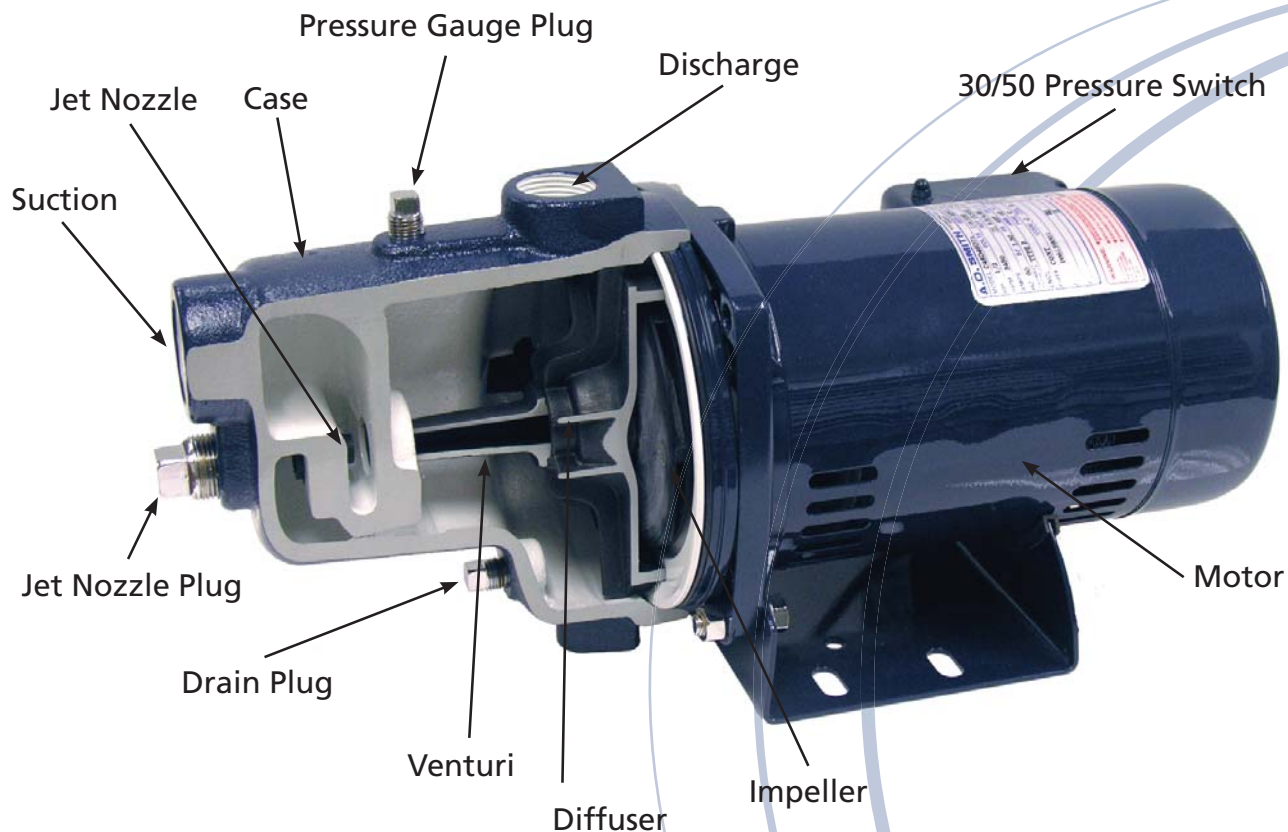
Ordering Information

Model No.	HP	Discharge/Suction	Voltage	Pump Unit	
				Order No.	Wt.
FVJ05CI	1/2	1" x 1-1/4"	115/230	91180005	31
FVJ07CI	3/4	1" x 1-1/4"	115/230	91180007	34
FVJ1CI	1	1" x 1-1/4"	115/230	91180010	51
FVJ15CI	1.5	1" x 1-1/4"	115/230	91180015	56

Jet Pumps

VersaJet

FPS



Ease of installation for less time at the jobsite

- Revolutionary Patent Pending "Quick-Change" jet nozzle replacement system allows easy customization of the pump. Performance can be changed quickly from a high pressure to a high flow set-up without removing the plumbing or opening the case.
- Dual voltage motor can be set to run at either 115V or 230V.
- Pressure gauge port supplied for easy addition of optional pressure gauge.
- Pressure switch is installed and set at 30/50 PSI.
- Built-in drain plug for easy winterizing and servicing.
- Handles water temperatures up to 120 °F and shut-off pressures up to 90 PSI.
- 1" FNPT discharge, 1-1/4" FNPT suction.
- UL778 approved for indoor or outdoor use.



Performance Data

VJ 1" Discharge 1.25" Suction			Discharge Pressure - PSI						Shut-Off Pressure PSI	
Model	Nozzle	Total Suction Lift ft	10	20	30	40	50	60		
			Gallons per Minute							
FVJ05CI	Nozzle B (Standard)	5	10.8	10.5	10.1	8.5	4.9	2.1	70	
		10	9.4	9.1	8.7	7.5	4.1	1.6		
		15	8.0	7.7	7.4	6.5	3.4	1.1		
		20	6.2	6.0	5.7	5.3	2.6	0.5		
	Nozzle C (High Pressure)	5	9.8	8.9	8.3	7.6	6.3	4.0	86	
		10	8.3	7.5	7.1	6.6	5.7	3.5		
		15	6.8	6.2	5.9	5.7	5.1	3.0		
		20	5.3	5.0	4.8	4.6	4.3	2.6		
	Nozzle A (High Flow)	5	12.8	12.5	12.1	5.2	-	-	47	
		10	11.4	11.1	10.8	3.6	-	-		
		15	10.0	9.8	9.6	1.9	-	-		
		20	8.0	7.7	6.8	1.0	-	-		
FVJ07CI	Nozzle C (Standard)	5	16.3	15.6	15.1	14.1	9.0	3.8	70	
		10	14.2	13.6	13.1	12.5	7.8	2.9		
		15	12.1	11.6	11.2	10.8	6.5	2.0		
		20	9.5	9.1	8.9	8.7	5.0	1.0		
	Nozzle D (High Pressure)	5	15.8	15.2	14.7	14.1	9.6	4.8	73	
		10	13.9	13.2	12.8	12.4	8.5	3.9		
		15	11.9	11.1	10.8	10.6	7.5	3.0		
		20	9.2	8.8	8.6	8.5	6.2	1.8		
	FVJ10CI	Nozzle A (High Flow)	5	18.9	18.7	18.4	11.6	-	-	47
			10	16.8	16.6	16.3	8.0	-	-	
			15	14.8	14.5	14.2	4.4	-	-	
			20	11.8	11.6	11.2	2.2	-	-	
Nozzle B (Standard)		5	21.5	21.0	20.7	20.4	12.8	3.9	64	
		10	19.2	18.8	18.5	18.2	11.3	2.0		
		15	16.9	16.6	16.3	16.0	9.7	-		
		20	13.6	13.4	13.2	13.0	7.4	-		
Nozzle C (High Pressure)		5	20.4	19.8	19.4	19.1	14.6	7.7	71	
		10	18.1	17.6	17.3	17.1	13.6	6.5		
		15	15.9	15.4	15.2	15.0	12.6	5.2		
		20	12.7	12.4	12.2	12.1	10.8	3.3		
FVJ15CI	Nozzle A (High Flow)	5	23.3	23.0	22.7	20.2	7.6	-	54	
		10	20.7	20.3	20.0	17.4	3.8	-		
		15	18.1	17.7	17.3	14.6	-	-		
		20	14.8	14.5	14.2	10.8	-	-		
	Nozzle B (Standard)	5	29.0	28.6	28.2	27.8	24.0	11.6	66	
		10	25.5	25.0	24.8	24.5	21.2	7.7		
		15	21.9	21.5	21.3	21.1	18.5	3.8		
		20	17.6	17.2	16.9	16.7	13.8	1.9		
	Nozzle C (High Pressure)	5	28.7	28.2	27.9	27.6	26.8	15.5	72	
		10	25.3	24.8	24.4	24.0	23.4	13.3		
		15	21.9	21.4	20.9	20.5	20.1	11.2		
		20	17.4	17.1	16.8	16.6	16.3	7.0		
Nozzle A (High Flow)	5	30.3	29.9	29.5	29.2	19.5	-	59		
	10	26.9	26.6	26.2	25.9	15.9	-			
	15	23.6	23.3	22.9	22.6	12.4	-			
	20	19.0	18.8	18.5	17.9	6.2	-			
		25	14.5	14.3	14.1	13.2	-			



Franklin Electric

400 East Spring Street, Bluffton, IN 46714

Tel: 260.824.2900 • Fax: 260.824.2909

www.franklin-electric.com