



For the ultimate steel well tank, look no further!

Well-Rite is our no expense spared, equipped with the best of everything, ultimate well tank! In addition to it's long list of premium features that it's always had, Well-Rite is now equipped with our new antimicrobial liner on the lower half of the water chamber!

In short, you get unmatched performance, superior air and water separation, and the purest water possible.

It just doesn't get any better than this!



16 - gauge solid steel tank, finished with highest quality urethane paint to stand up to the dampest basement or crawl space.

Water chamber is independent of tank walls, allowing diaphragms to be sized properly for each tank.

CAD-2 CAD-2 diaphragm technology: strong, 100% butyl diaphragm and copolymer polypropylene lower water chamber for maximum water and air separation.

Steel clench ring regulates movement and prevents diaphragm from rubbing against tank wall.

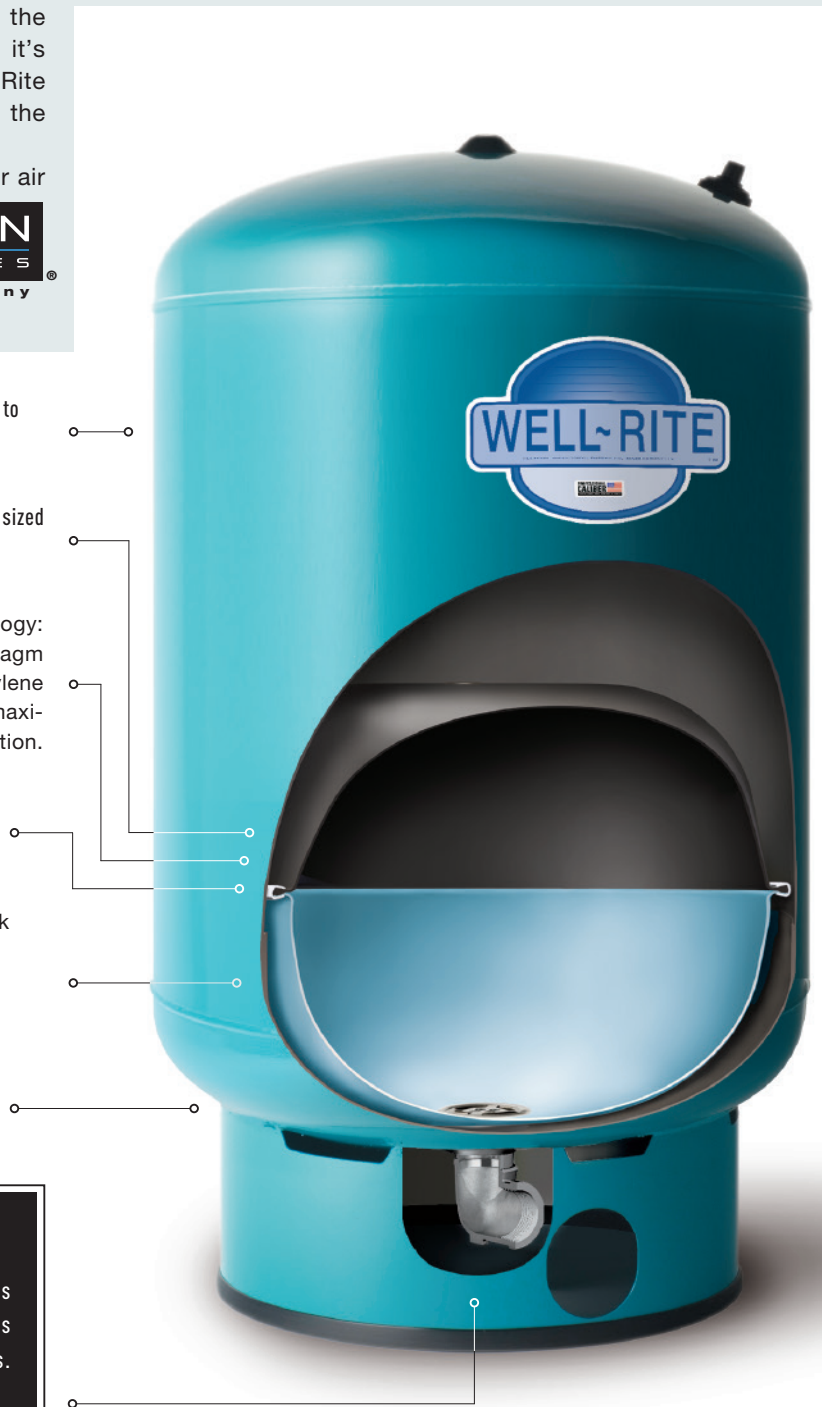


Every Flexcon CAD-2 tank has a silver-ion-infused antimicrobial liner to help eliminate possible water born health hazards.

Condensation-reducing design virtually eliminates external corrosion.

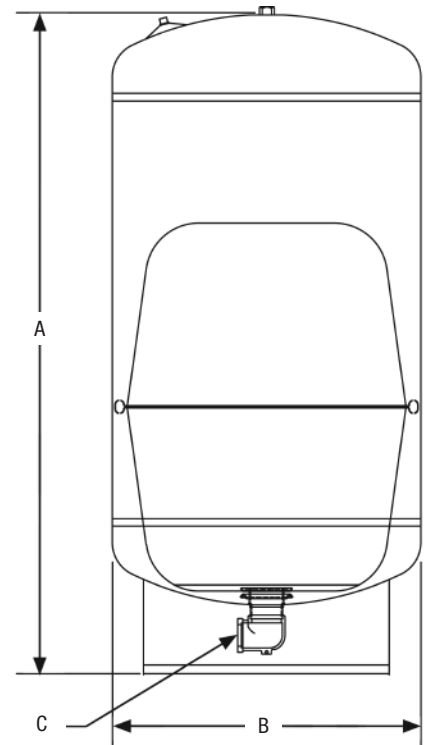


Patented, welded, stainless steel water connection has separate air and water seals.





WR/CAD-2 Well Tank



MATERIALS OF CONSTRUCTION

- **Tank:** 16-gauge cold rolled steel
- **Finish:** Appliance-quality paint for indoor or outdoor installation
- **Water chambers:** Top diaphragm is 100% butyl rubber, lower water chamber is anti-microbial, copolymer polypropylene
- **Connection:** Welded stainless steel NPT thread
- **Air valve:** Brass valve with O-ring seal
- **Testing:** High pressure, seam weld, helium, final precharge check
- **Warranty:** 5 year

DIMENSIONS & CAPACITIES

Model	Total Tank Volume		A Height		B Diameter		C Connection	Total Weight	
	gal	liters	in	cm	in	cm		lbs	kilos
WR 45	14	60	22	55.88	16	40.64	1" NPT	28.0	12.7
WR 60	20	80	29	73.66	16	40.64	1" NPT	36.0	16.3
WR 80	26	100	34.5	87.63	16	40.64	1" NPT	41.0	18.6
WR 100	32	120	27.75	70.48	21	53.34	1 1/4" NPT	54.0	24.5
WR 120	33.4	130	42.75	108.58	16	40.64	1 NPT	49.0	22.2
WR 140	44	170	36.25	92.07	21	53.34	1 1/4" NPT	67.0	30.4
WR 200	62	240	48	121.92	21	53.34	1 1/4" NPT	82.0	37.2
WR 240	81	310	62	157.48	21	53.34	1 1/4" NPT	99.0	44.9
WR 260	85	325	44.5	113.03	26	66.04	1 1/4" NPT	121.0	54.9
WR 360	119	450	59.75	151.76	26	66.04	1 1/4" NPT	153.0	69.5

Maximum working pressure 125 psig. Maximum working temperature, internal & external 140° F. Tank pre-charge 38 psig.

QUICK SIZING CHART

Model	Total Tank Volume		Total Drawdown*					
	gal	liters	20/40		30/50		40/60	
	gal	liters	gal	liters	gal	liters	gal	liters
WR 45	14	60	5.6	21.4	4.8	18.1	4.1	15.6
WR 60	20	80	8.1	30.5	6.8	25.8	5.9	22.3
WR 80	26	100	10.5	39.7	8.9	33.6	7.7	29.0
WR 100	32	120	12.9	48.8	10.9	41.3	9.4	35.7
WR 120	33.4	130	13.3	50.3	11.3	42.6	9.7	36.8
WR 140	44	170	17.7	67.1	15.0	56.8	13.0	49.1
WR 200	62	240	25.0	94.6	21.1	80.0	18.3	69.2
WR 240	81	310	32.6	123.6	27.6	104.5	23.9	90.4
WR 260	85	325	34.3	129.7	29.0	109.7	25.1	94.9
WR 360	119	450	48.0	181.5	40.6	153.6	35.1	132.9

*Total drawdown assumes tank pre-charge set at 2 psi below cut-in pressure. Drawdown can be affected by many factors, including temperature, pressure, and elevation.

